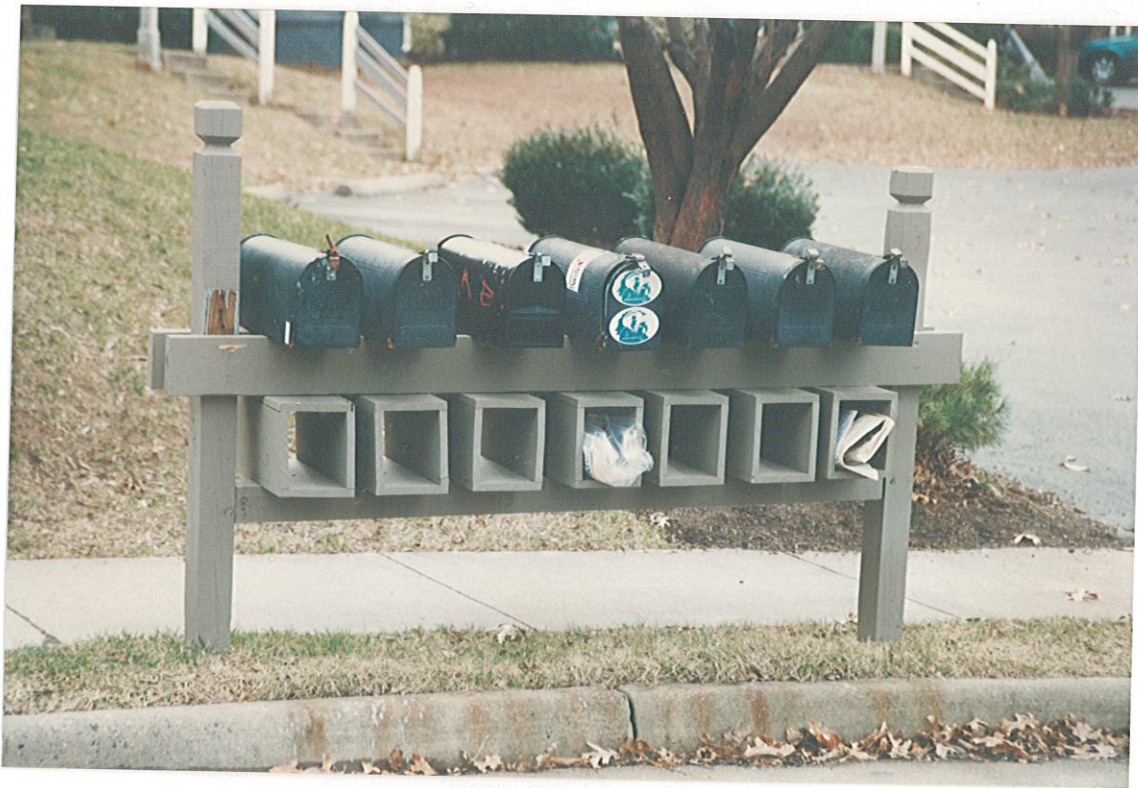


MAILBOX, Black rural
(Individually mounted on wood posts. Posts are stained McCormick semi-transparent stain #911. Numbers are black metal or brass.)

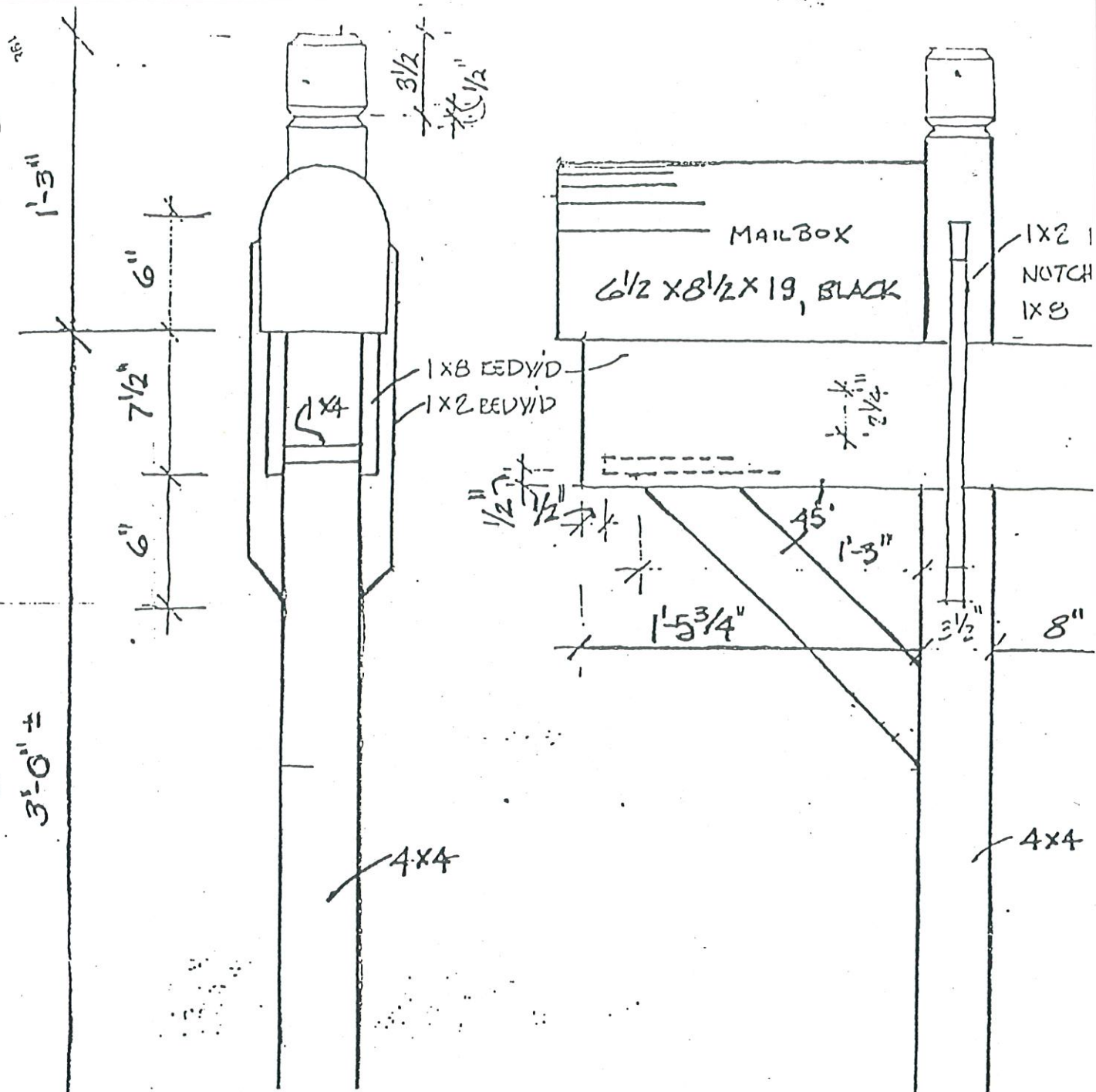


MAILBOX, Black rural

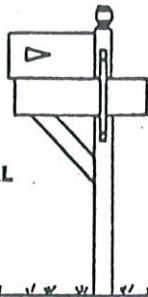




MAILBOXES, "Ganged"
(See specs. on previous page.)



ANSWERING
MACHINE (703) 670-2889
METRO (703) 690-6725



ED P. MICAL

**RURAL MAILBOXES
OF VIRGINIA**

WOOD POST • INSTALLED
• SEVERAL DESIGNS •

15517 GOLF CLUB DRIVE
DUMFRIES, VIRGINIA 22026

MAILBOX 1 1/2" = 1'-0"

2 MAR 78
REVISED 10/18/

M.
LAI
RE